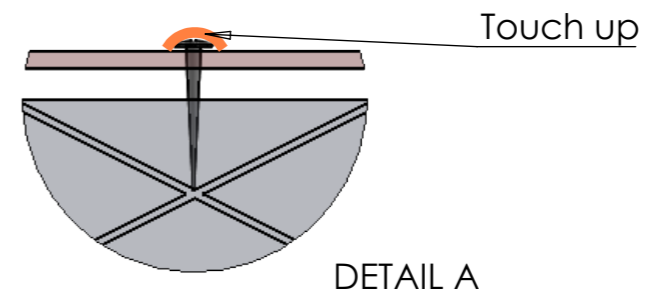
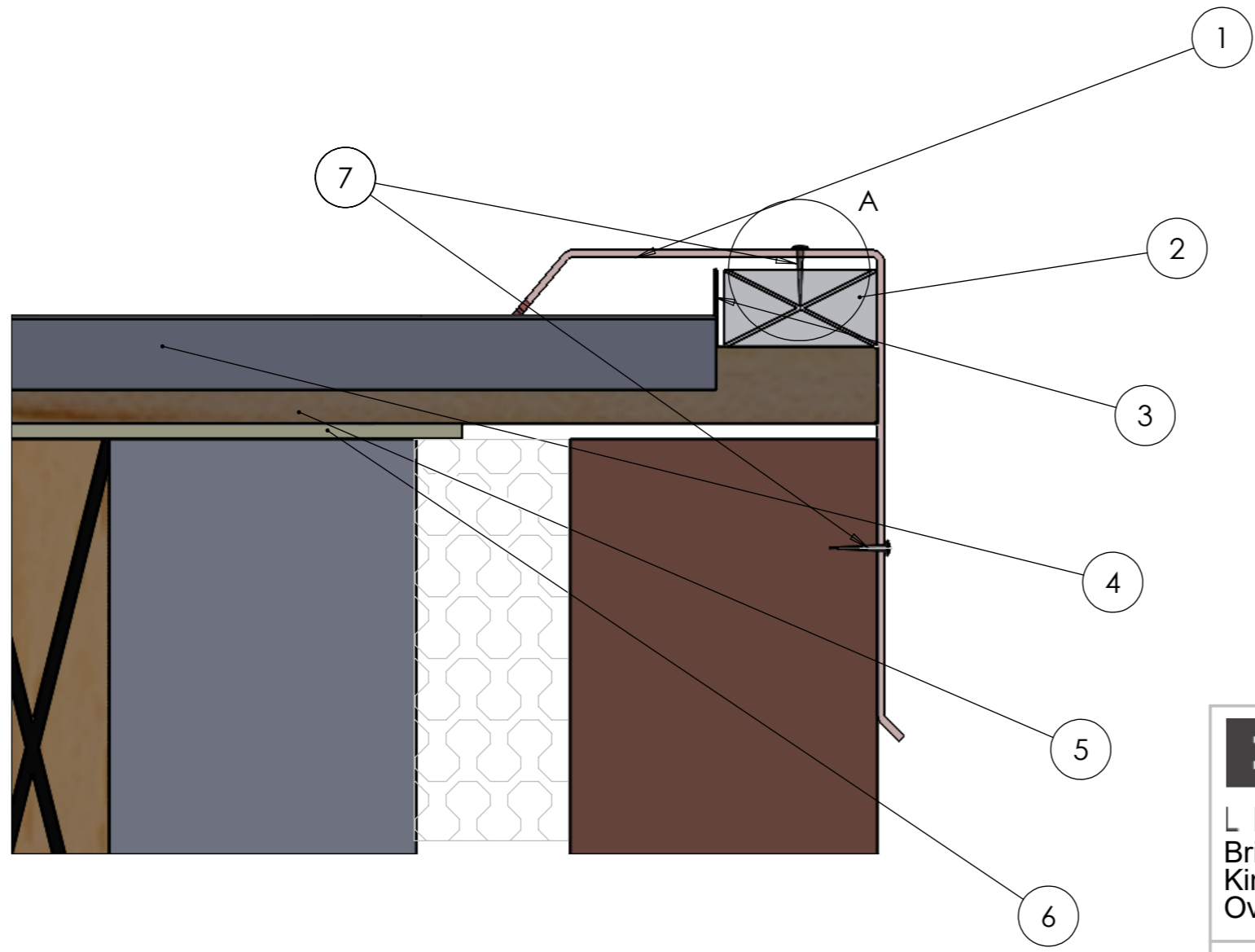
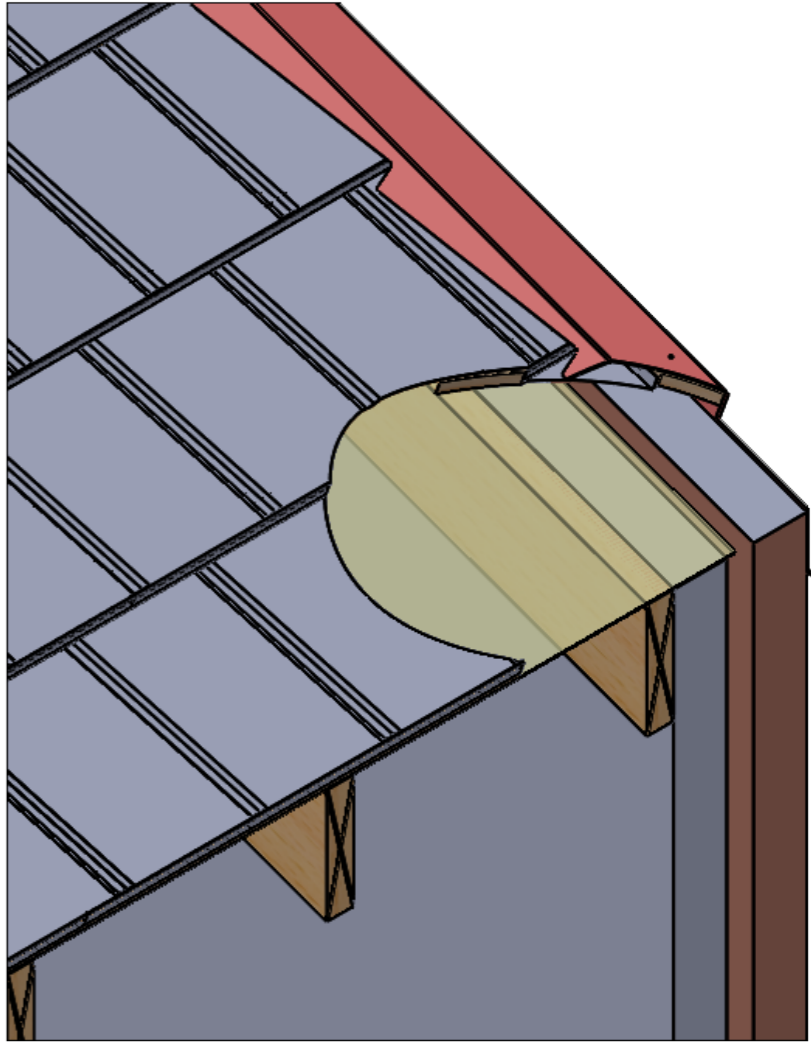


ITEM	DESCRIPTION	DETAIL
1	RH Barge	
2	Barge batten	50x25mm
3	Tile panel 25mm Upstand	Fold on site
4	Tile panel	Slate 2000 shown
5	Tile batten	50x25mm
6	Membrane	
7	Nail	50x3.35mm



BRITMET
 LIGHTWEIGHT ROOFING
 Britmet Tileform Ltd
 Kingfisher House, Unit 17
 Overthorpe Road, Banbury, OX16 4SX

DO NOT SCALE DRAWING	REVISION
TITLE: Tile panel 0.45 Typ. Barge detail	
DWG NO. P45-Barge-01-A	A3
SCALE:DNS	SHEET 1 OF 1

	NAME	DATE	MATERIAL:
DRAWN			
CHK'D			